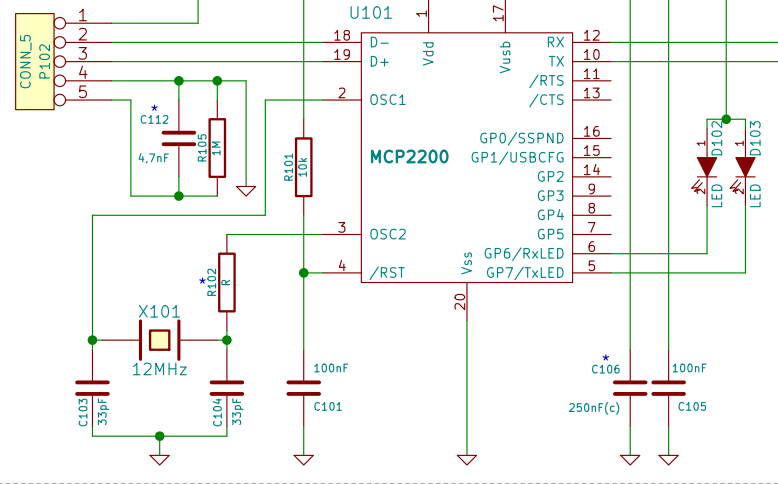
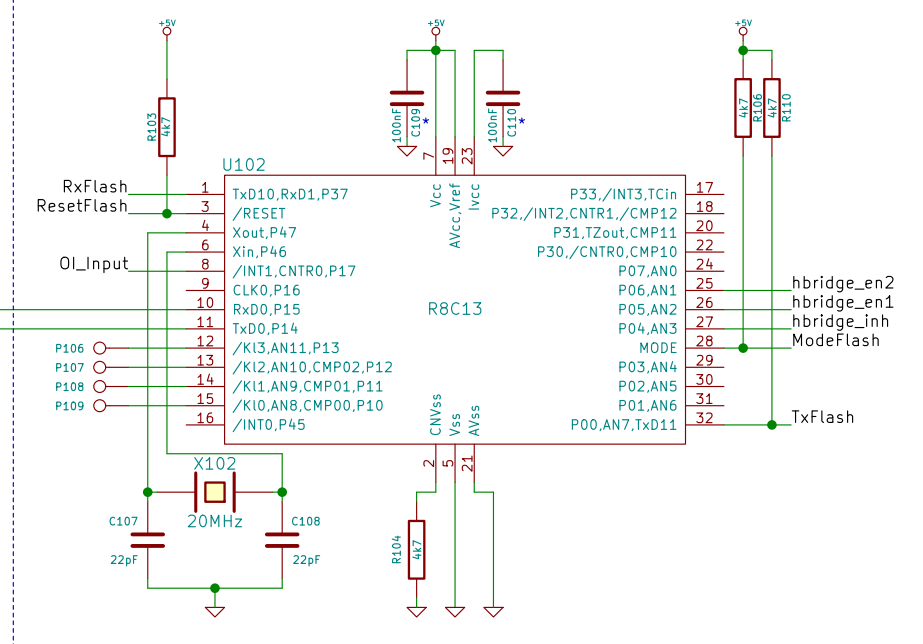


### USB/Serial converter

Pinning:  
 1 = +5V  
 2 = D-  
 3 = D+  
 4 = GND  
 5 = Shield

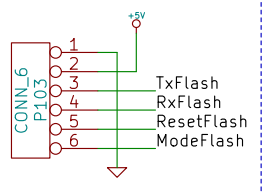


### Microcontroller

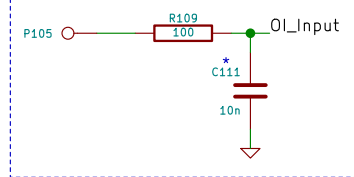


### Serial flashadapter interface

Pinning:  
 1 = GND  
 2 = +5V  
 3 = Tx  
 4 = Rx  
 5 = Reset  
 6 = Mode

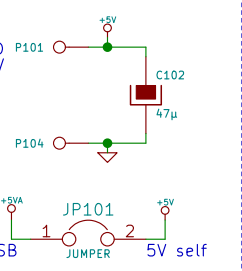


### opto interrupter interface



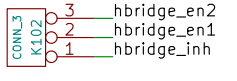
### Power supply

1 = GND  
 2 = +5V



### H-Bridge interface

Pinning:  
 1 = Enable  
 2 = Inhibit1  
 3 = Inhibit2



\*Actual build deviations from schematic:

- C106 = 330nF
- C109 = 150n
- C110 = 150n
- C111 = 22n
- C112 = 1nF
- R102 = 5,6

Remarks:

D102, D103 = 5V type with integrated resistor!

File:	
Sheet: /home/erik/development/development_hardware/super8_scanner/elektronik/mircoboard/micro	
Title: Controllerboard	
Size: A4	Date: 20 may 2013
KiCad E.D.A.	eeschema (2013-mar-13)-testing
Rev: 0.1	Id: 1/1